

## Fall protection grid

### Description:

The **SECURITON® grille déportée** protection grid is a means of collective protection against falls from height through rooflights. They are available self-supporting or to be fixed on the roof and are certified for a resistance to 1200 joules according to the GIF test protocol (March 1997) and the CRAM MR72 document (September 1990).

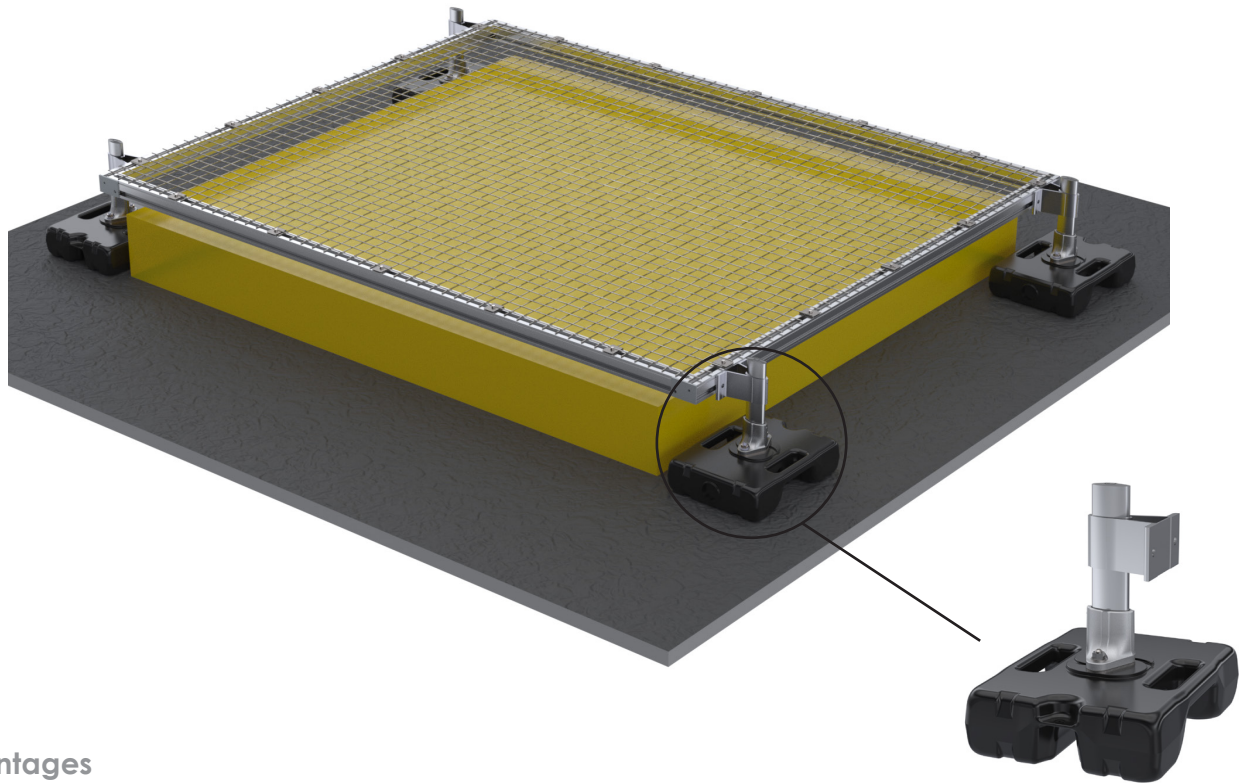
### Details:

**Material:** Aluminum, zinc-plated steel

**Finish:** Raw

**Assembly:** Delivered with manuals and drawings available online at: <http://extranet.somain.fr>

### Skylight fall protection grid



### ✓ Advantages

**SECURITON® grille déportée** is light, easy and quick to install. The grid is made of galvanized steel.

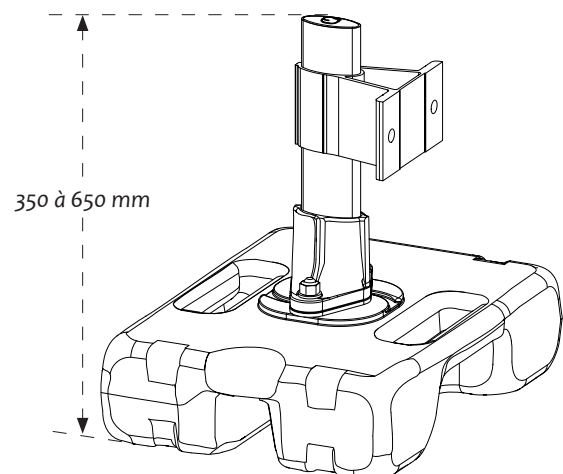
This self-supporting grille is a custom-made device for securing skylights of all sizes.

### ⋮ Options

**SECURITON® grille déportée** is proposed by default with weighted blocks. Also available with mounting plates on steel decks

### i Additional information

The feet are made to measure with a height between: 350 mm et 600 mm.



## Translucent fall protection grid

### Description:

The **SECURITON® grille à plat** is a means of collective protection against falls from height through translucent roofs.

Adapted to steel and fibrocement roofs, these grids are available self-supporting or to be fixed to the roof.

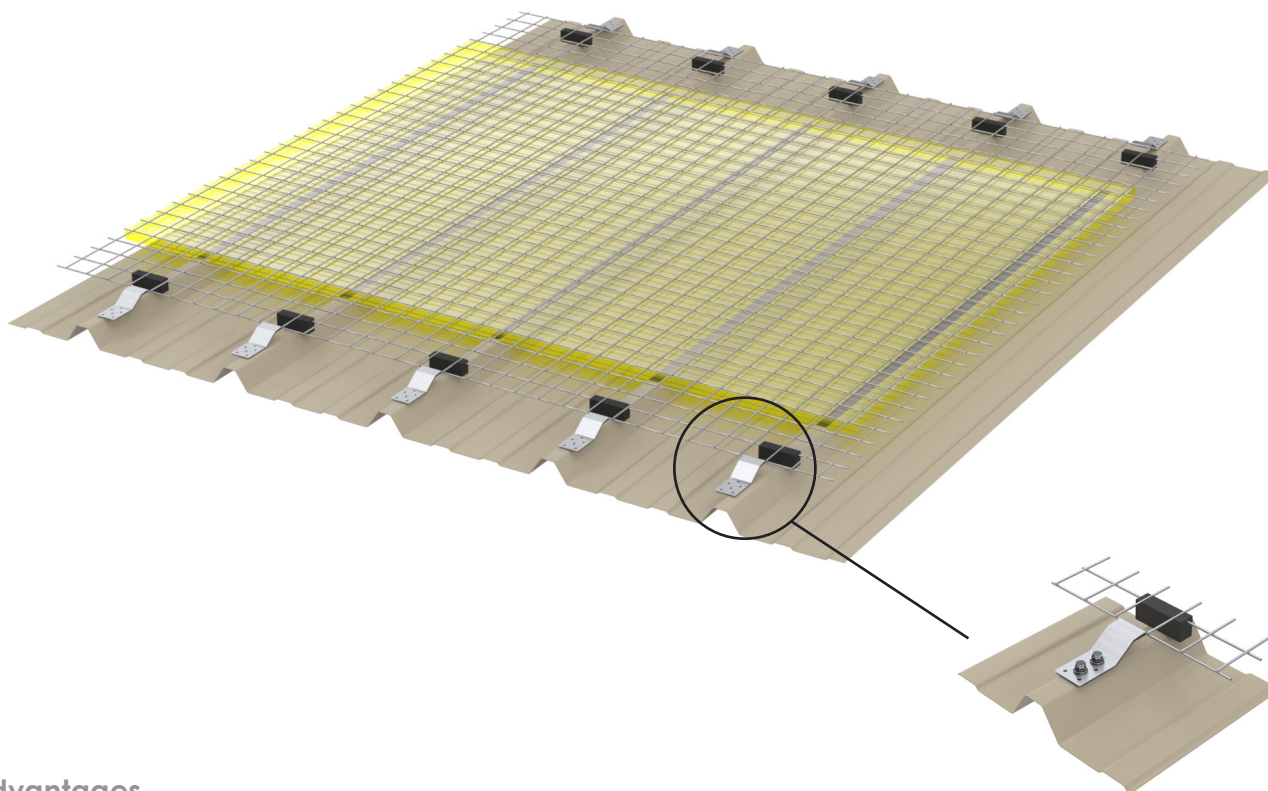
They are certified for a resistance to 1200 joules according to the GIF test protocol (March 1997) and the CRAM MR72 document (September 1990).

### Details:

**Material:** Aluminum, zinc-plated steel

**Finish:** Raw

**Assembly:** Delivered with manuals and drawings available online at: <http://extranet.somain.fr>



### ✓ Advantages

**SECURITON® grille à plat** is light, easy and quick to install. The grid is made of galvanized steel.

This flat grid is a custom-made device for securing skylights of any size.

### ⋮ Options

**SECURITON® grille à plat** is offered by default with steel fasteners. Also available with fasteners on fibro.

### i Additional information

2 self-drilling screws M6x25 stainless steel + sealing strip.

