

Rigid lifeline with I-profile

Description:

SECURILIGNE® rail alu and **SECURILIGNE® rail inox** are rigid lifelines in stainless steel or aluminium.

Ideal for use on the underside, these lifelines allow for work in suspension thanks to a trolley provided for this purpose.

Can also be used for face and ground fixing with the appropriate trolley.

Details:

Material: Aluminium or stainless steel

Finish: Raw

Assembly: Delivered with manuals and drawings available online at: <http://extranet.somain.fr>



REF : 100217

SECURILIGNE® rail alu

Lenght: 6.00 m

Section: 35x42 mm

Span: 1 m maxi

REF : 101262

SECURILIGNE® rail inox 304 L

Lenght: 5.70 m

Section: 35x42 mm

Span: 1,5 m maxi

REF : 101804

SECURILIGNE® rail inox 316 L

Lenght: 5.70 m

Section: 35x42 mm

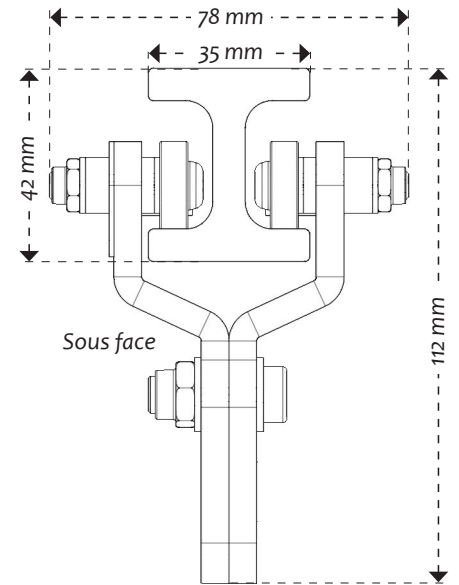
Span: 1,5 m maxi

Options

The curves are made by bending the profile with a minimum radius of 800 mm.

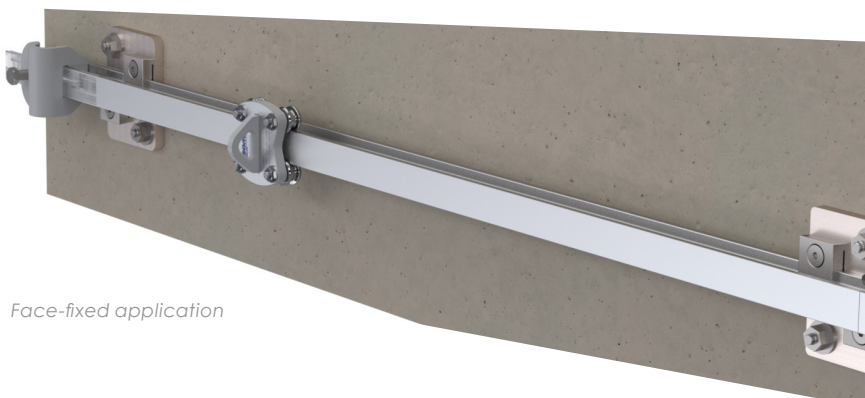
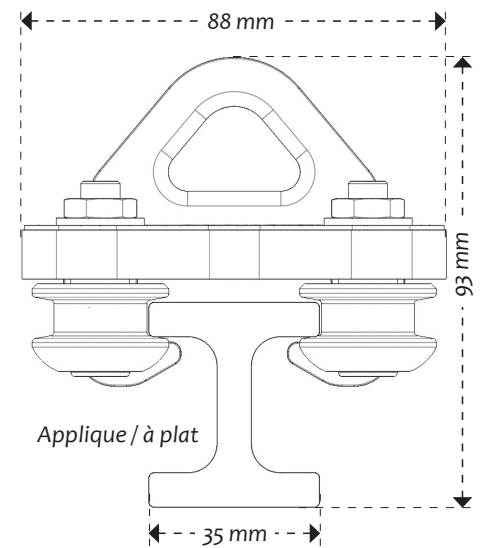
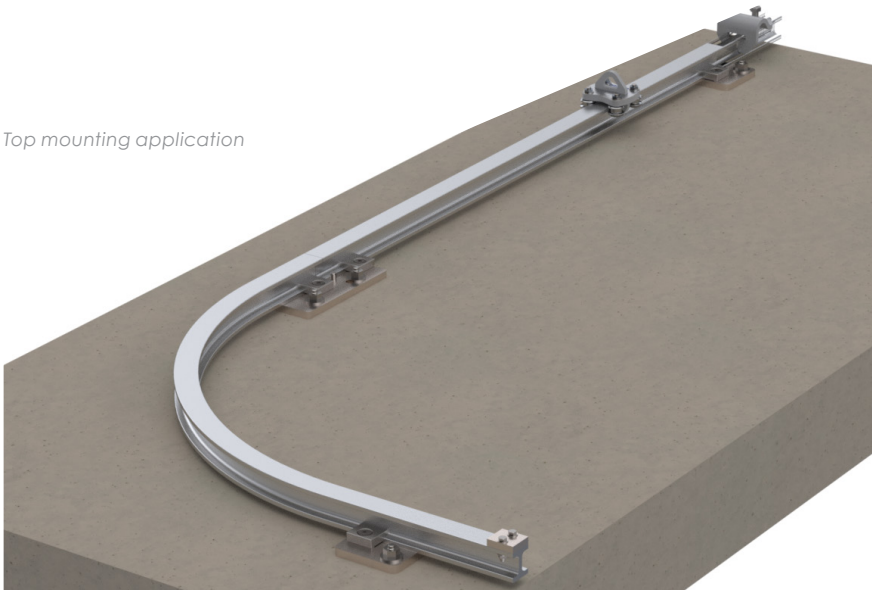


Application on the underside



Top mounting and face-fixed application

Top mounting application



Face-fixed application

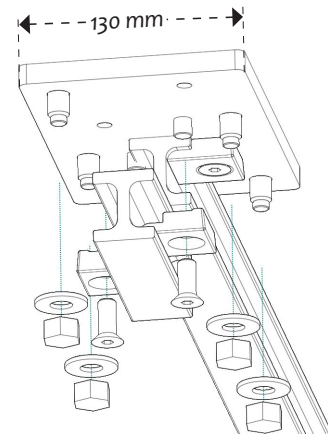
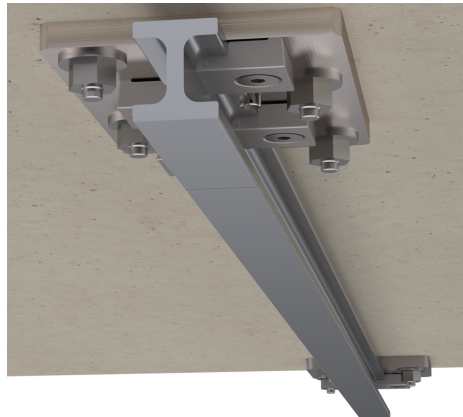
+ Elements

Components constituting the **SECURILIGNE® rail alu** and **SECURILIGNE® rail inox**.

REF : 100504

Painted stainless steel connector plate + raw stainless steel clips to connect 2 lengths of rail.

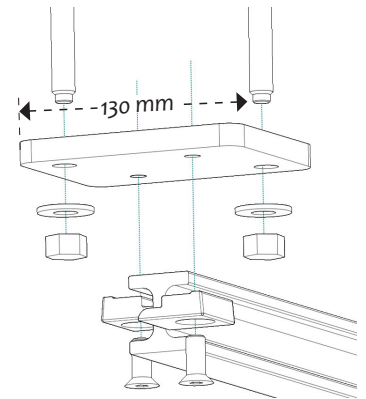
Fixing: 4 M12.



REF : 101159

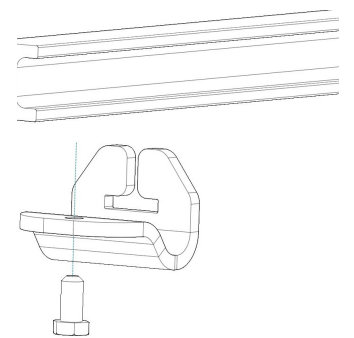
Painted stainless steel intermediate fixing plate + raw stainless steel clips for stainless steel or aluminium rail.

Fixing: 2 M12.



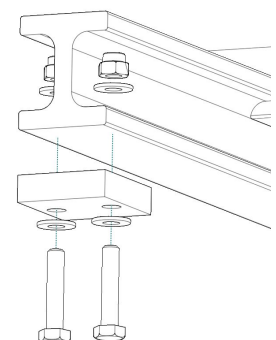
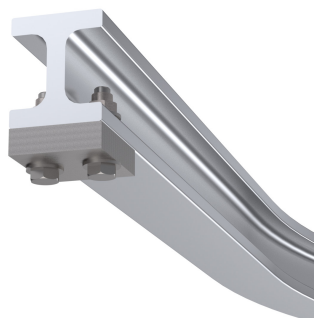
REF : 100501

Trolley stop for stainless steel rail, attached to each end of the lifeline.



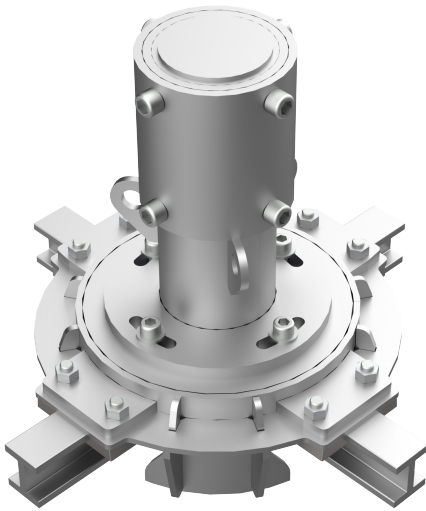
REF : 101161

Trolley stop for aluminium rail, attached to each end of the lifeline.



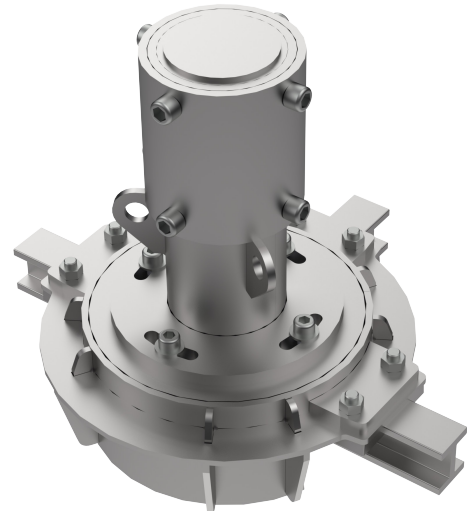
+ Elements

Somain Securite has developed an exclusive rail changing system. This system is remotely operated by the user by pulling on the cable or strap that holds it.



REF : 101189

Painted steel 4-way switch, for remote direction changes.
Optional stainless steel on request.



REF : 101188

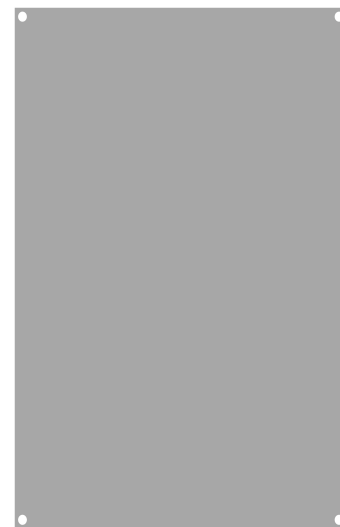
Painted steel 3-way switch, for remote direction changes.
Optional stainless steel on request.



REF : 100886

Signage poster of mandatory harness, to be installed at each access to the lifeline

Available, on request, in the language of your choice with the possibility to insert your logo.

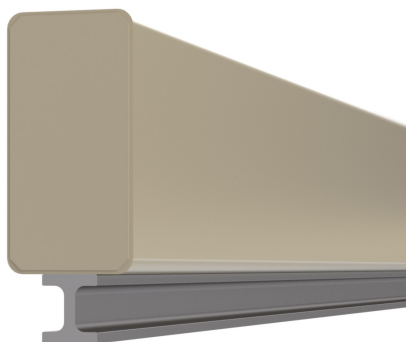


REF : 102128

Raw aluminium post for mandatory poster stickers.

Special fasteners

Somain Sécurité has developed different fixing systems to adapt the **SECURILIGNE® rail alu** and **SECURILIGNE® rail inox** to any frame and structural configurations.

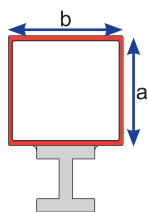


Fixing onto a tube

For greater distances between fixations, the assembly is reinforced with a support tube.

The shape of this tube is chosen specifically for the required spans between centre-to-centre distances.

Possible spans depending on the size of the tube (thickness : 4mm):



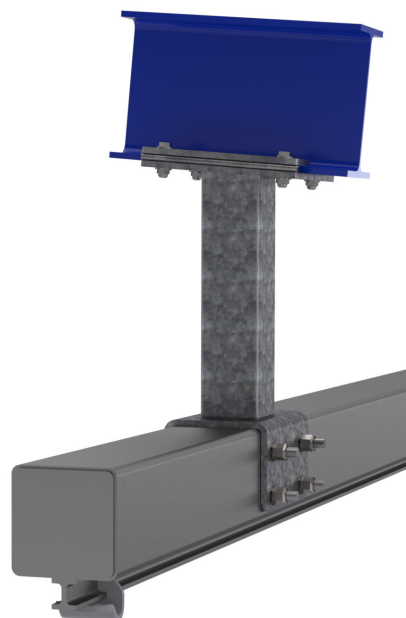
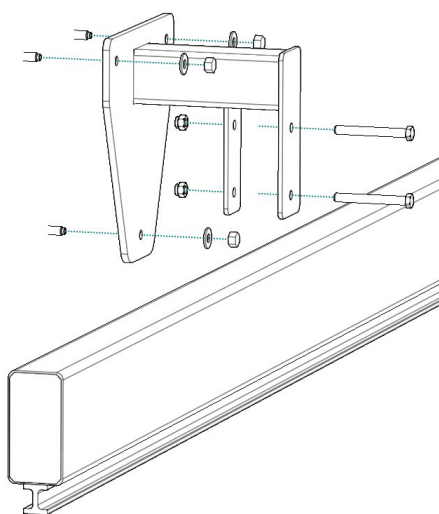
a en mm	b en mm	Portée
100	100	3 m
200	100	6 m
250	100	9 m
300	100	12 m

Please contact us for a greater span.



Fixing on posts

Somain Sécurité designs and manufactures posts to install the **SECURILIGNE® rail alu** and **SECURILIGNE® rail inox** for specific uses.



Fixing on shores

In order to keep the rail horizontal, it is sometimes necessary to offset it from the roof trusses. To do this, we use "shores" in sizes suitable for the desired offset.

