

Single anchor in forged stainless steel

Description:

SECURIFIX® inox forgé is a fall arrester system for securing an area inaccessible to the public where there is a risk of falling.

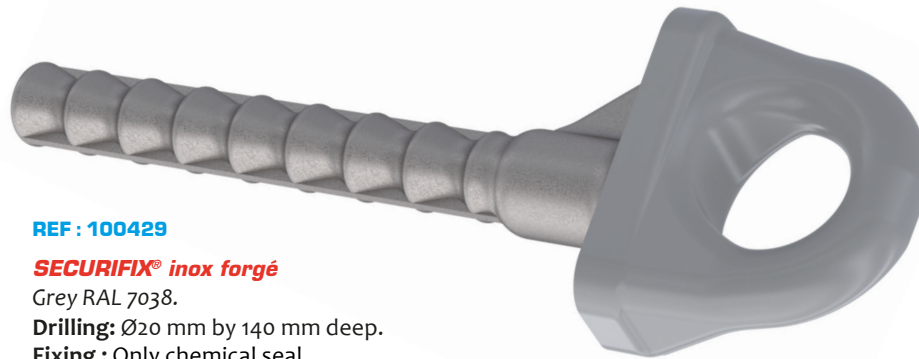
SECURIFIX® inox forgé is used with compliant PPE (lanyard, retractor, etc.). It can be installed on any concrete support.

Details:

Material: Forged 316L stainless steel

Finish: Powder-coated ring

Assembly: Delivered with manuals and drawings available online at: <http://extranet.somain.fr>



REF : 100429

SECURIFIX® inox forgé

Grey RAL 7038.

Drilling: Ø20 mm by 140 mm deep.

Fixing: Only chemical seal.

✓ Advantages

The **SECURIFIX® inox forgé** is the ideal anchor point when the aesthetics of the building must be preserved (example: listed building). Non-deformable and guaranteed for 10 years, it supports up to 1 user.

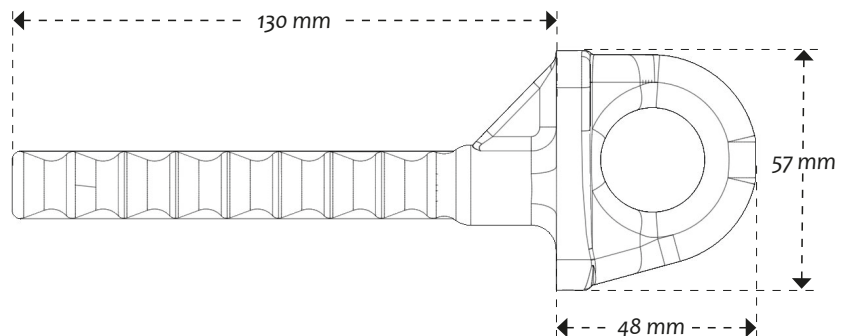
i Additional information



REF : 100870

Signage poster: mandatory wearing of PPE, to be installed at each access to the protected zone.

Available, on request, in the language of your choice with the possibility to insert your logo.



Single anchor in forged galva

SECURIFIX® galva forgé is a fall arrester system for securing an area inaccessible to the public where there is a risk of falling.

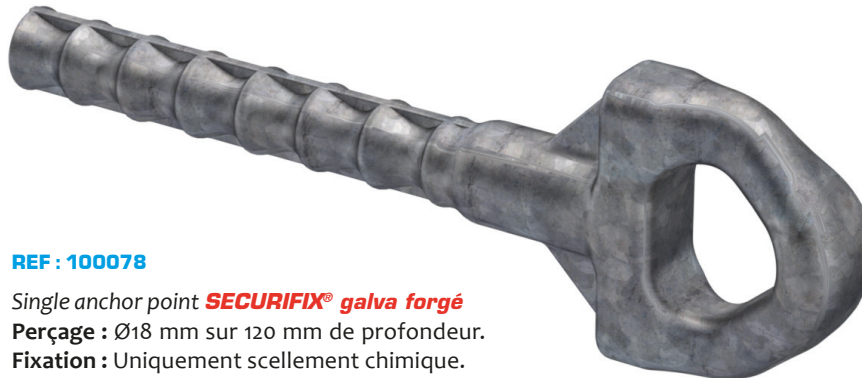
SECURIFIX® galva forgé is used with compliant PPE (lanyard, retractor, etc.). It can be installed on any concrete support.

Details :

Material : Forged steel

Finish : Hot galvanised

Assembly: Delivered with manuals and drawings available online at: <http://extranet.somain.fr>



REF : 100078

Single anchor point **SECURIFIX® galva forgé**
Perçage : Ø18 mm sur 120 mm de profondeur.
Fixation : Uniquement scellement chimique.

✓ Advantages

The **SECURIFIX® galva forgé** is one of the economical anchor points of the **SECURIFIX® range**. Non-deformable, it supports up to 1 user.

i Additional information



REF : 100870

Signage poster: mandatory wearing of PPE, to be installed at each access to the protected zone.

Available, on request, in the language of your choice with the possibility to insert your logo.

