

Lifeline for wind turbine

Description:

SECURIFIL® verticale éolienne is a lifeline designed to secure vertical movements. It is suitable for confined spaces where the cable is in a central position.

SECURIFIL® verticale éolienne is exclusively used with a mobile fall arrester supplied by Somain Securite. This is connected to the user's harness and locks on the cable if the user falls.

Details:

Material: Zinc-plated steel / aluminium

Assembly: Delivered with manuals and drawings available online at: <http://extranet.somain.fr>

✓ Advantages

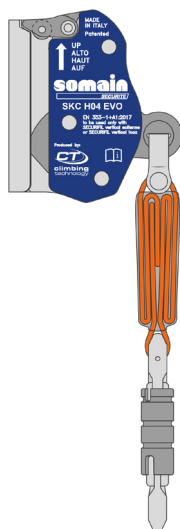
The **SECURIFIL® verticale éolienne** lifeline must be installed on the access ladder on the wind turbine tower. The upper-end part it is fastened onto 3 rungs.

If your case presents specific constraints, our design office will be able to propose an appropriate solution.

⋮ Options

Available in version stainless steel / aluminium for offshore wind tower ladder or outdoor use.

i Additional information



REF : 102082

Exclusive mobile fall arrester: SKC H04 EVO

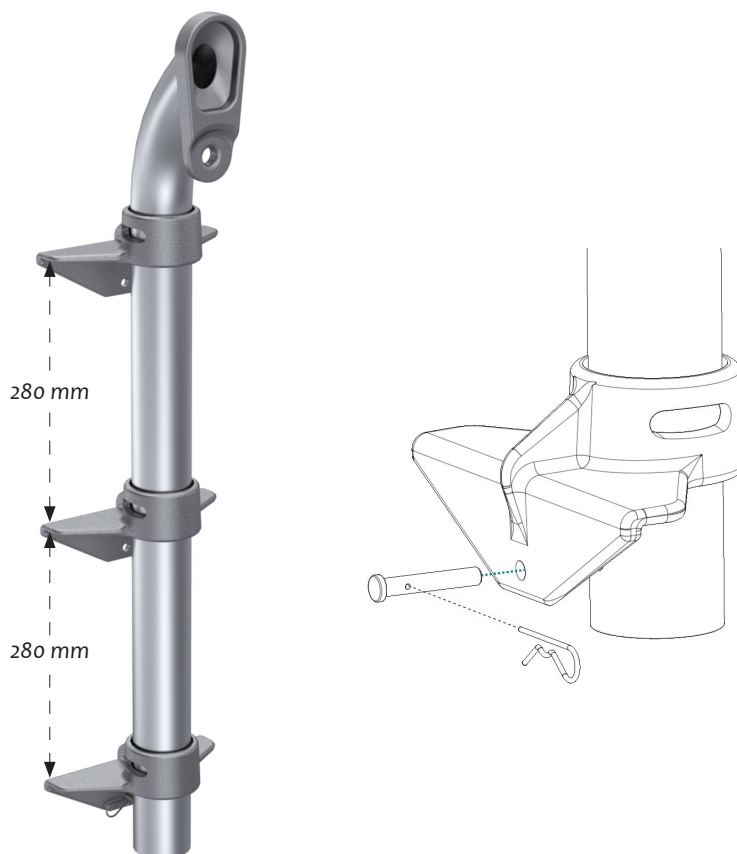
Designed for use on **SECURIFIL® verticale inox** lifeline, vertical galvanised cable diameter 8 mm.

Includes an energy absorber and a triple action and anti-reversal carabiner for more security. For a user of 50 to 140 kg maximum.



+ Elements

All **SECURIFIL® verticale eolienne** lifelines consist of the following elements.



REF : 101803

Aluminium upper-end part for rung 30 X 30 mm.
For different rung sizes or spacing: ask us for advice.



REF : 100640

Galvanised tensioner.

REF : 100155

Stainless steel tensioner.



REF : 101996

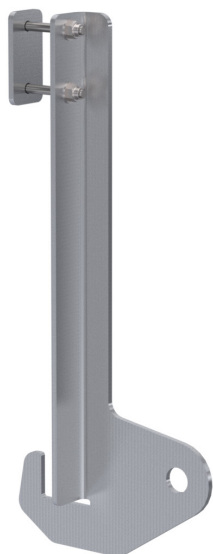
Zinc-plated absorber with clevis.

REF : 100481

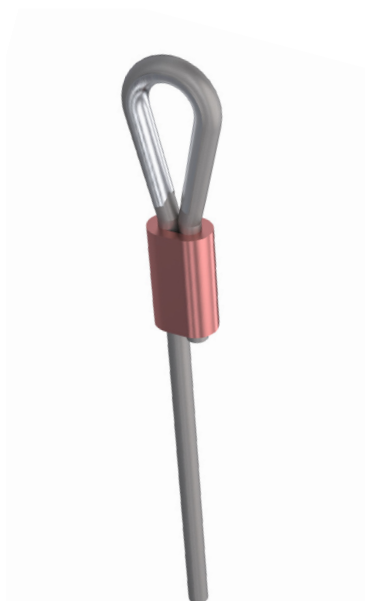
Stainless steel absorber with clevis.

+ Elements

All **SECURIFIL® verticale eolienne** lifelines consist of the following elements.



REF : 100637
Aluminium lower-end part.
Fixation over 2 rungs.

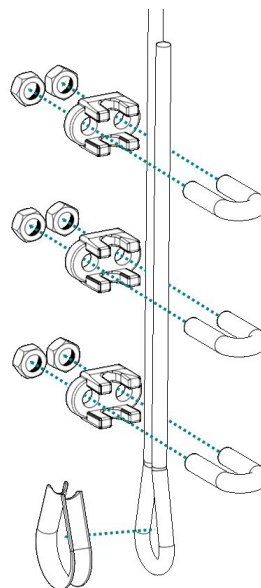


REF : 100646
Crimping set aluminium + zinc-plated rope thimble.

REF : 100478
Copper crimping set + stainless steel rope thimble.



REF : 100645
Set of 3 cable clamps + galvanised rope thimble.



REF : 100477
Set of 3 cable clamps + stainless steel rope thimble.

+ Elements

All **SECURIFIL® verticale eolienne** lifelines consist of the following elements.



REF : 100631

Galvanised cable diameter 8 mm 7 x 19.

REF : 100150

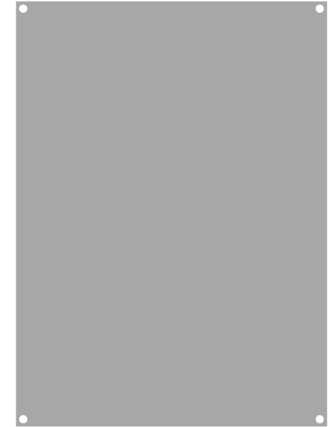
Stainless steel cable diameter 8 mm 7 x 19.



REF : 102122

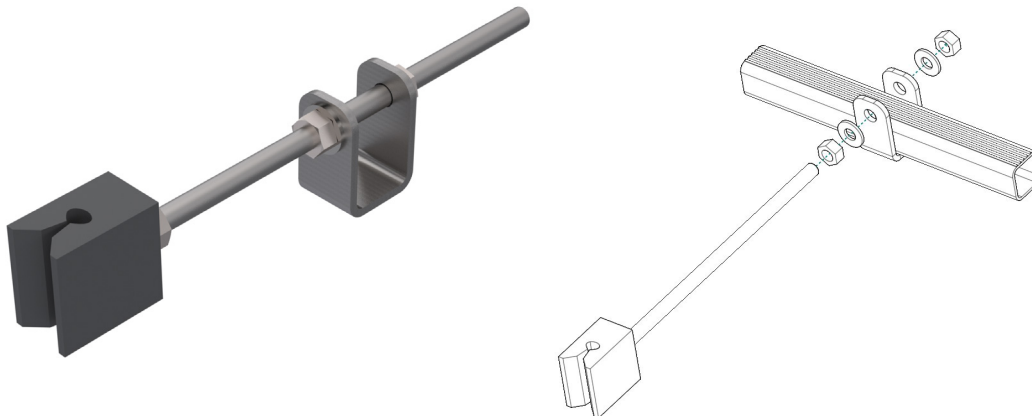
Mandatory nameplate : wearing of PPE, to be installed at each access to the lifeline.

Available, on request, in the language of your choice with the possibility to insert your logo.



REF : 102128

Raw aluminium post for mandatory nameplate.



REF : 100639

Intermediate stainless steel cable guide.