

## Fixation on insulated terrace

### Description:

The **SECURILISSE® GC-TI** is a collective system against falls from heights, designed for roofs that are inaccessible to the public for installation on concrete slabs through the insulation. Waterproofing is preserved thanks to the combination of two collars fitted to the guardrail uprights.

### Details:

**Material:** Aluminium

**Finish:** Raw, anodised or powder-coated

**Versions existantes:** Straight or inclined

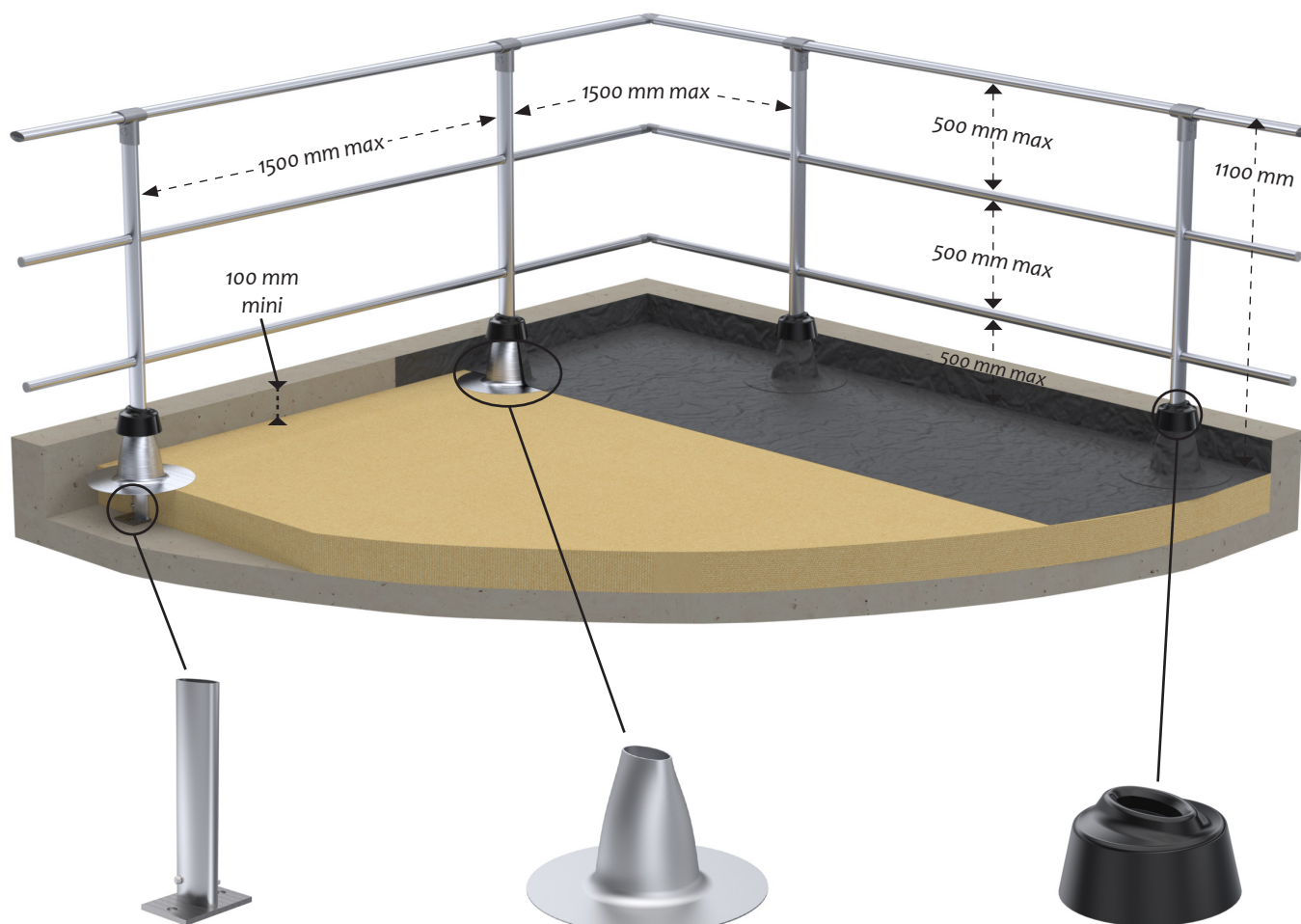
**Delivery:** Delivered with manuals and drawings available online at: <http://extranet.somain.fr>



## GC-TID (straight)

### 1 Straight guardrail with midrails: GC-TID

The **SECURILISSE® GC-TID** is used for an installation on concrete terrace with a parapet of 100 mm min.



**REF : 101232**

Customised GC-TI base

**Fixing:** 2 M12

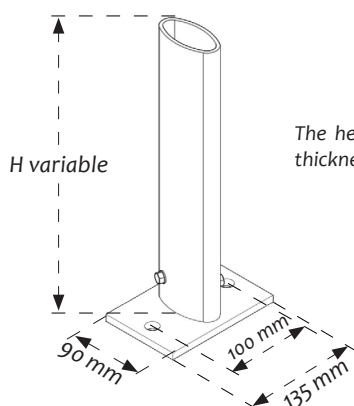
**Spacing:** 100 mm

**REF : 101082**

Aluminium cover collar.

**REF : 101019**

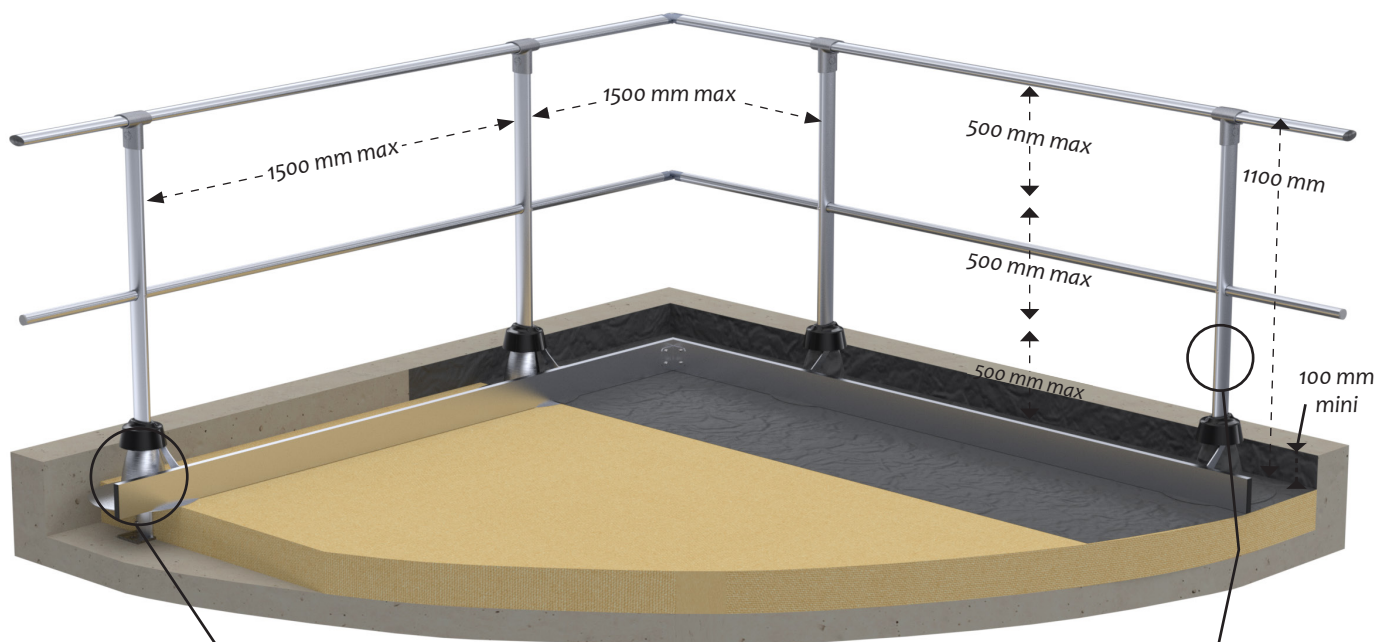
Plastic collar.



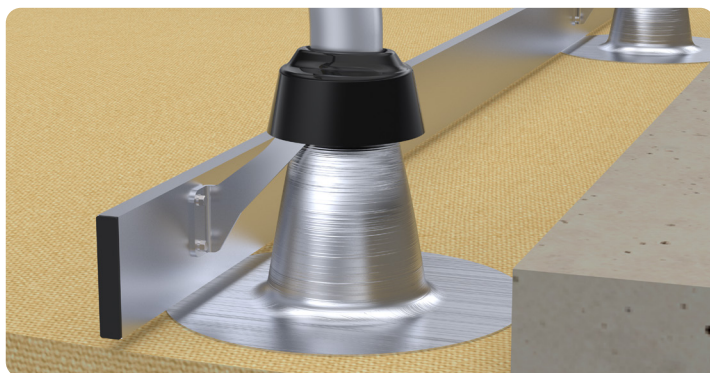
The height of the base is tailor made in our workshops to match the thickness of the building's waterproofing.

**2 Straight guardrail with midrail and toeboard: GC-TID.P**

The **SECURILISSE® GC-TID.P** is suitable for work areas on insulated concrete terraces without a parapet or one of less than 100 mm. The standard then requires the installation of a toeboard.



**Toeboard accessory:**



**REF : 101087**

Toeboard fixation for GC-TI.  
With a parapet of less than 100 mm.



**REF : 100532**

Standard straight upright.

## Fixation on insulated terrace

### Description:

The **SECURILISSE® GC-TI** is a collective system against falls from heights, designed for roofs that are inaccessible to the public for installation on concrete slabs through the insulation.

The waterproofing is preserved thanks to the combination of two collars fitted to the guardrail uprights. The 30-degree inclined version is chosen for aesthetic reasons as it is less visible from the ground.

### Details:

**Material:** Aluminium

**Finish :** Raw, anodised or powder-coated

**Versions existantes :** Straight or inclined

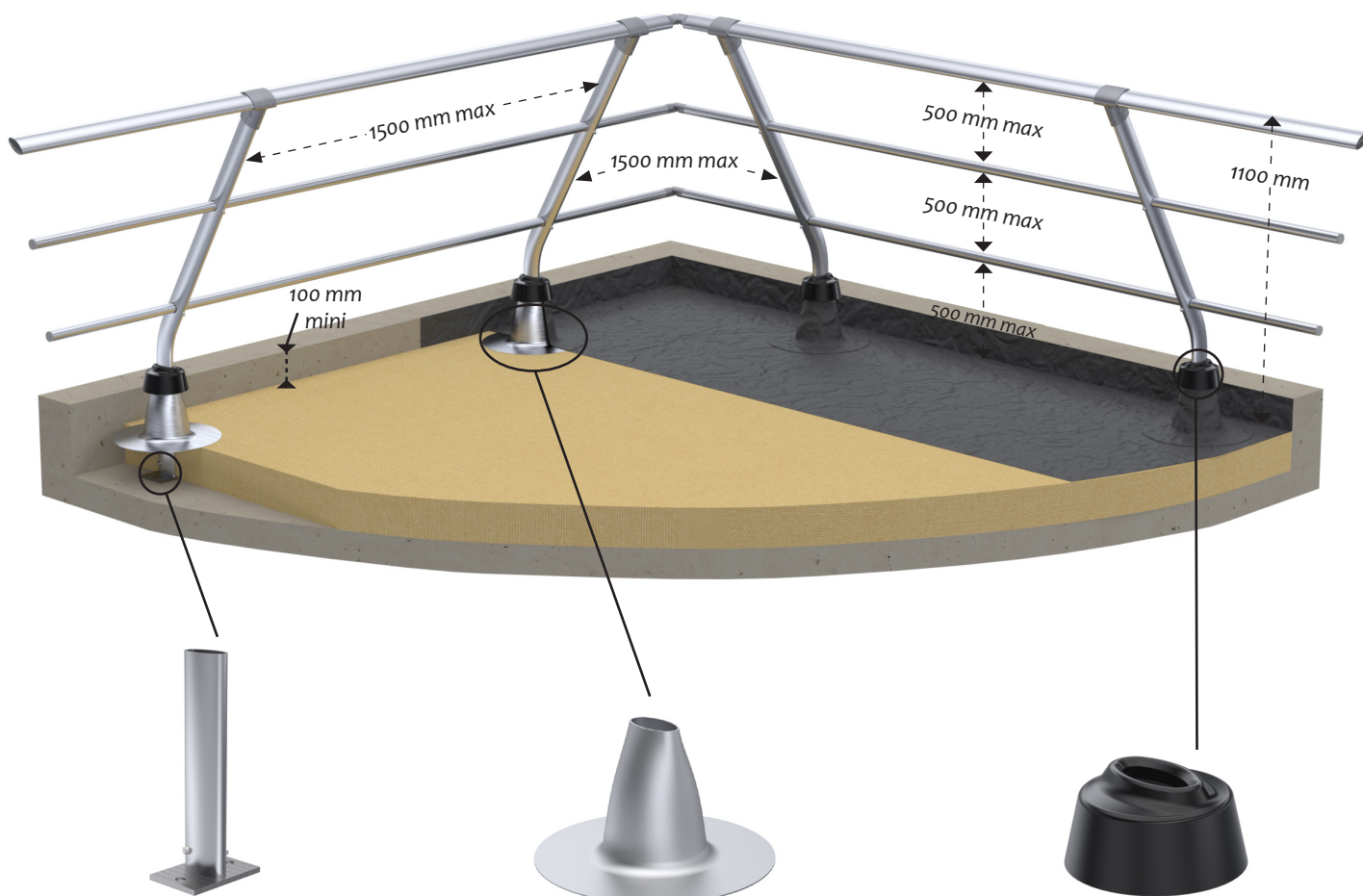
**Delivery :** Delivered with manuals and drawings available online at: <http://extranet.somain.fr>



### GC-TI-I (inclined)

#### 1 Inclined guardrail with midrails: GC-TI-I

The **SECURILISSE® GC-TI-I** is used for an installation on concrete terrace with a parapet of 100 mm min.



**REF : 101232**

Customised GC-TI base

Fixing: 2 M12

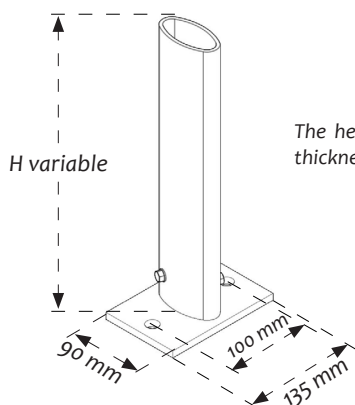
Spacing: 100 mm

**REF : 101082**

Aluminium cover collar.

**REF : 101019**

Plastic collar.

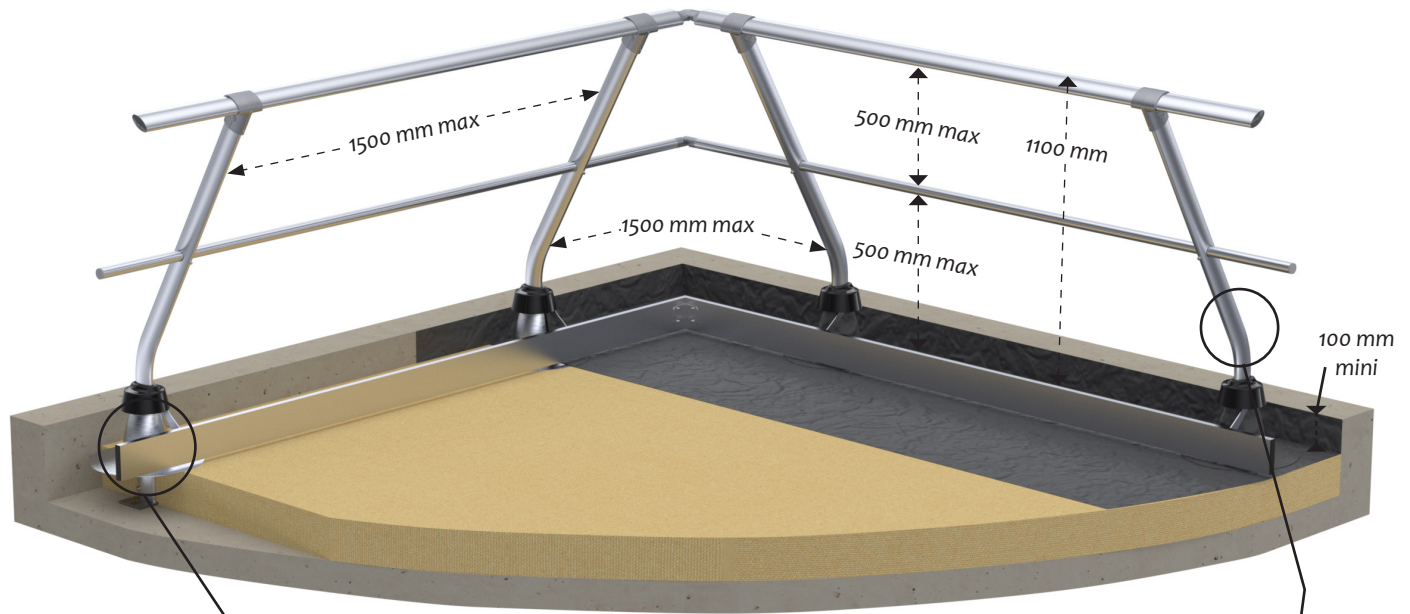


The height of the base is tailor made in our workshops to match the thickness of the building's waterproofing.

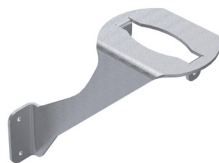
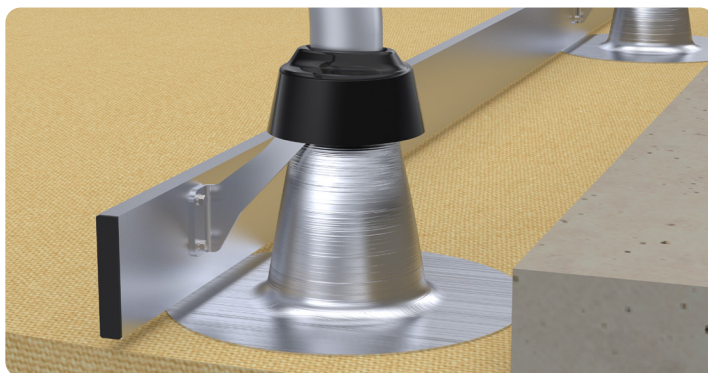


**2 Inclined guardrail with midrails and toeboard: GC-TI-I.P**

The **SECURILISSE® GC-TI-I.P** is suitable for work areas without a parapet or one of less than 100 mm. The standard then requires the installation of a toeboard.



**Toeboard accessory:**



**REF : 101087**  
Toeboard fixation for GC-TI.  
With a parapet of less than 100 mm.



**REF : 100539**  
30-degree inclined upright.