

Fixing on hot metal deck

Description:

The **SECURILISSE® GC-BC** is a collective system against falls from heights, designed for roofs that are inaccessible to the public for installation onto hot metal decks through the insulation. The waterproofing is preserved thanks to the combination of two collars fitted to the guardrail uprights.

Details:

Material: Aluminium

Finish: Raw, anodised or powder-coated

Versions existantes: Straight or inclined

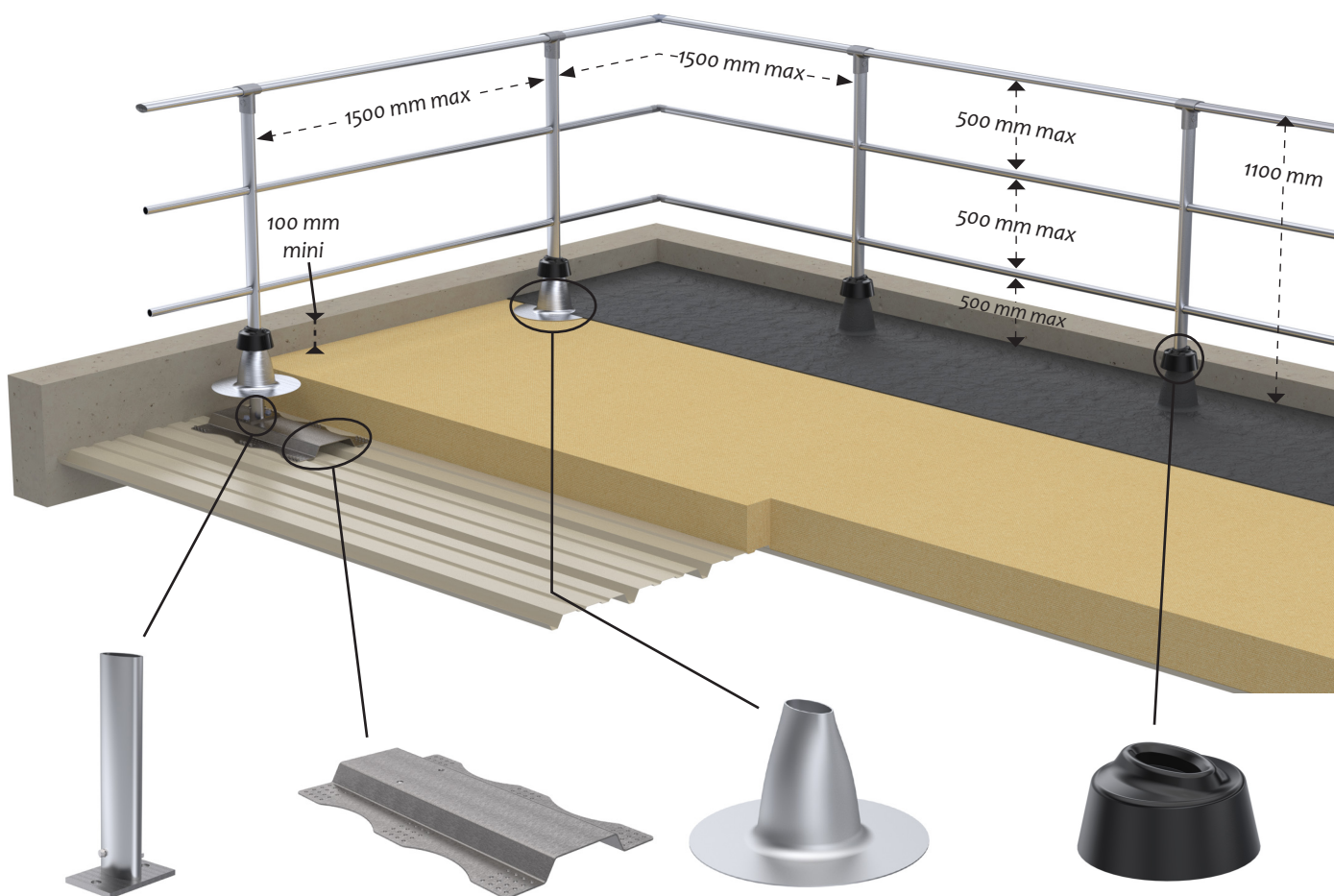
Delivery: Delivered with manuals and drawings available online at: <http://extranet.somain.fr>



GC-BCD (straight)

1 Straight guardrail with midrails: GC-BCD

The **SECURILISSE® GC-BCD** is used for an installation on roof hot metal decks with min. 100 mm parapets.



REF : 101232

Customised GC-TI base.
Fixed with 2 M12.

REF : 101706

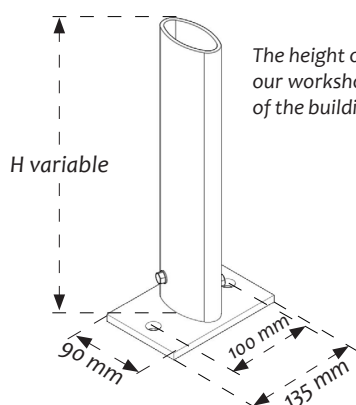
Zinc-plated steel plate for steel decks.

REF : 101082

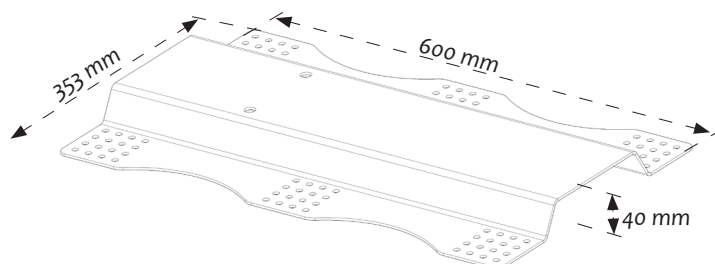
Aluminium cover collar.

REF : 101019

Plastic collar.

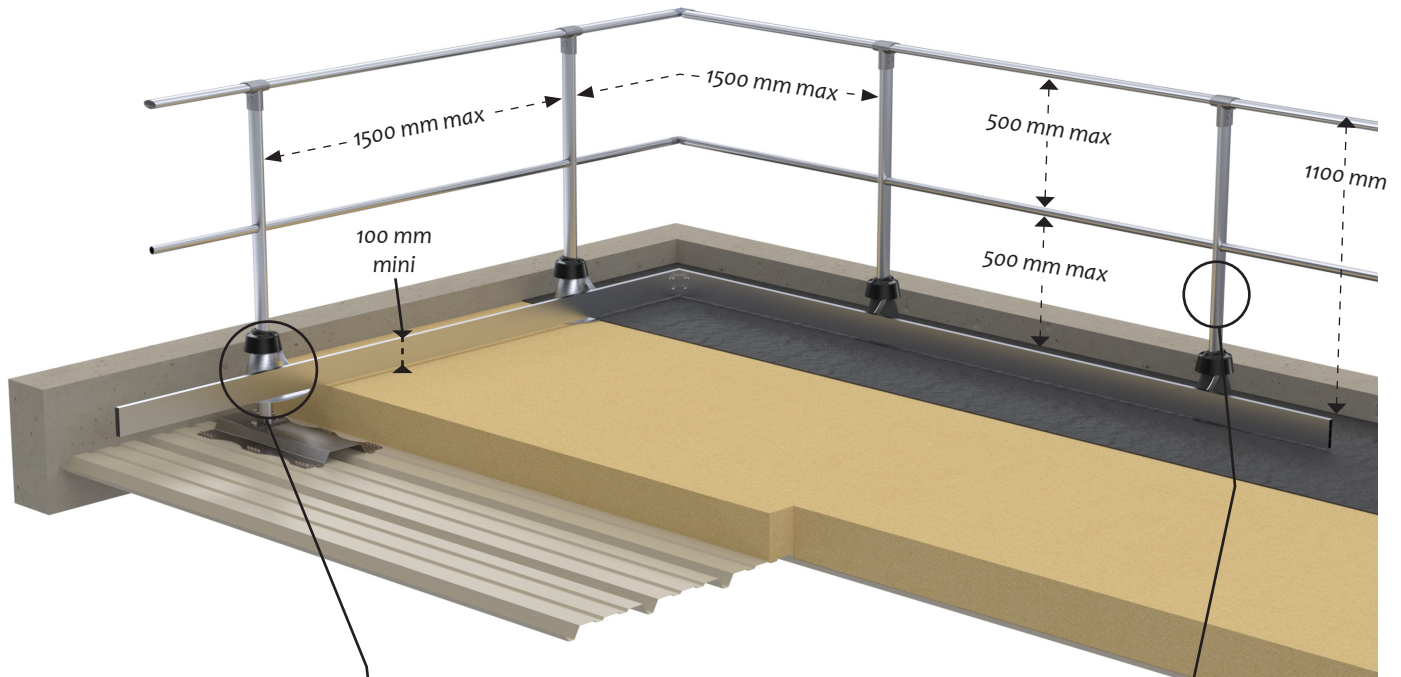


The height of the base is tailor made in our workshops to match the thickness of the building's waterproofing.

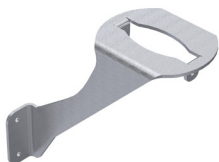
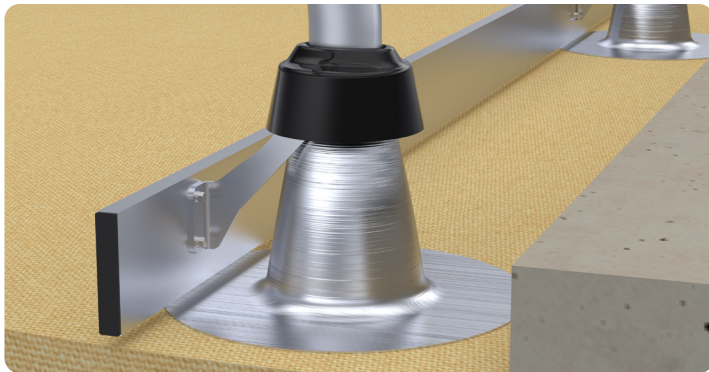


2 Straight guardrail with midrail and toeboard: GC-BCD.P

The **SECURILISSE® GC-BCD.P** is suitable for work areas on hot metal deck roofs without parapets or of less than 100 mm. The standard then requires the installation of a toeboard.



Toeboard accessory:



REF : 101087
Toeboard fixation for GCTI.
With a parapet of less than 100 mm.



REF : 100532
Standard straight upright.

Fixing on hot metal deck

Description:

The **SECURILISSE® GC-BCI** is a collective system against falls from heights, designed for roofs that are inaccessible to the public for installation onto hot metal deck roofs through the insulation.

The waterproofing is preserved thanks to the combination of two collars fitted to the guardrail uprights. The 30-degree inclined version is chosen for aesthetic reasons as it is less visible from the ground.

Details:

Material: Aluminium

Finish: Raw, anodised or powder-coated

Versions existantes: Straight or inclined

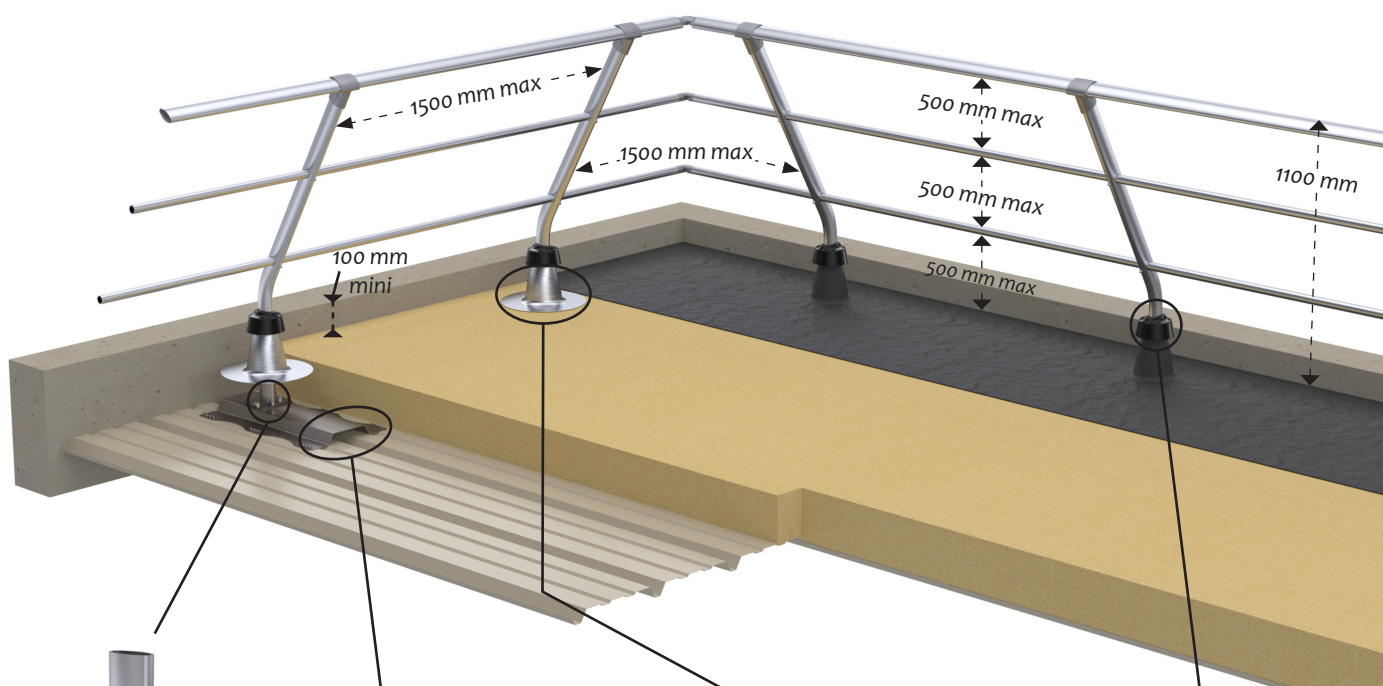
Delivery: Delivered with manuals and drawings available online at: <http://extranet.somain.fr>



GC-BCI (inclined)

1 Inclined guardrail with midrails: GC-BCI

The **SECURILISSE® GC-BCI** is used for an installation on hot metal deck roofs with min. 100 mm parapets.



REF : 101232

Customised GC-TI base.
Fixed with 2 M12.



REF : 101706

Zinc-plated steel plate for steel decks.



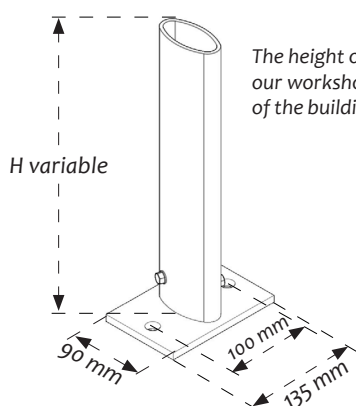
REF : 101082

Aluminium cover collar.

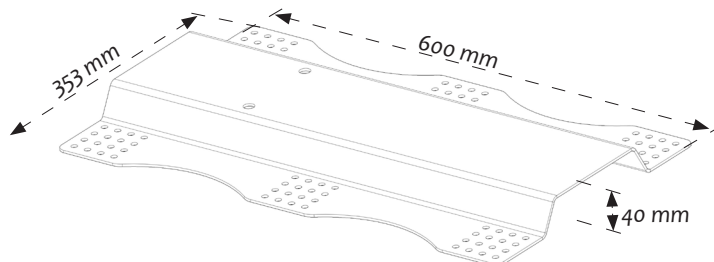


REF : 101019

Plastic collar.

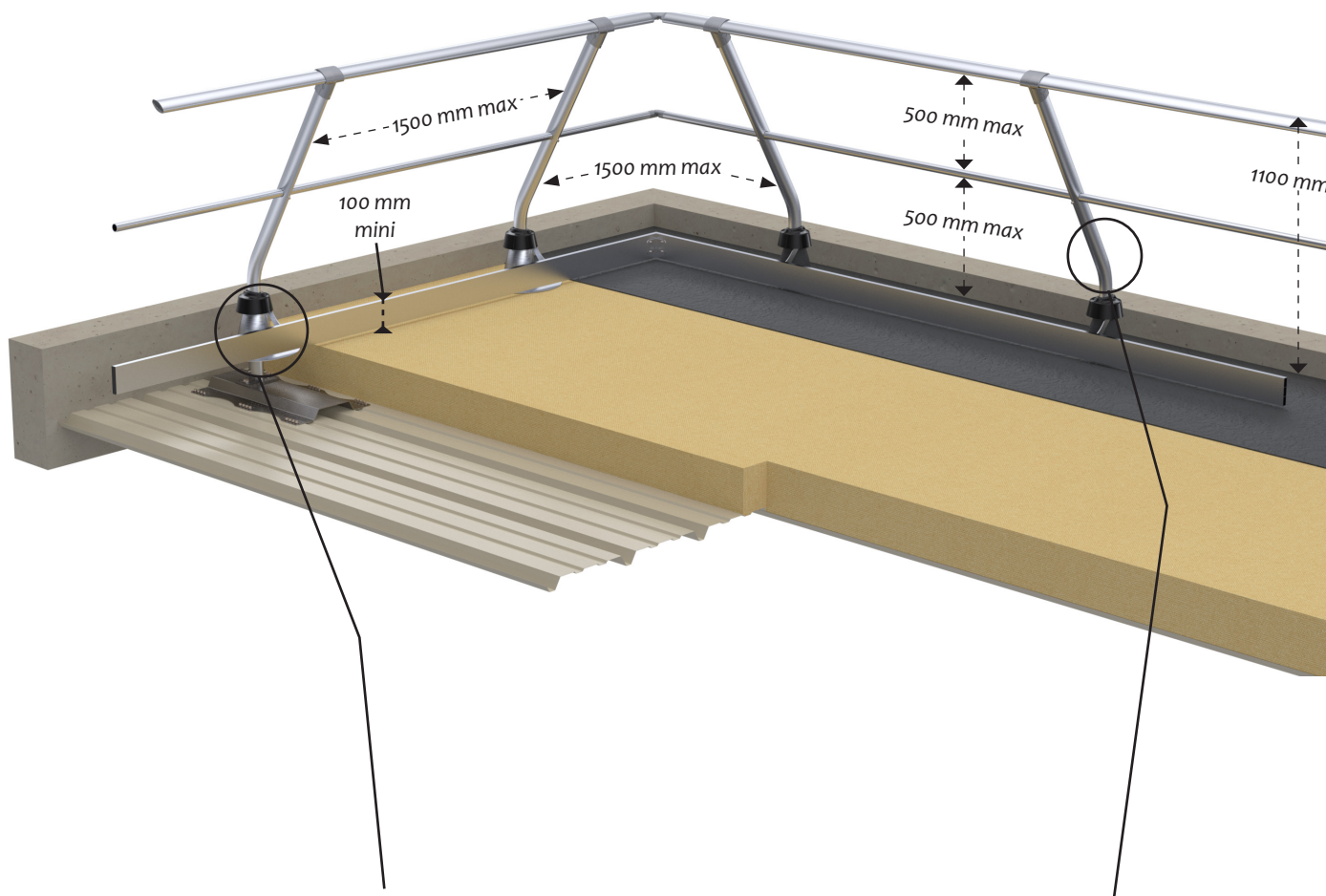


The height of the base is tailor made in our workshops to match the thickness of the building's waterproofing.

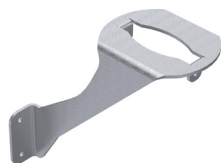
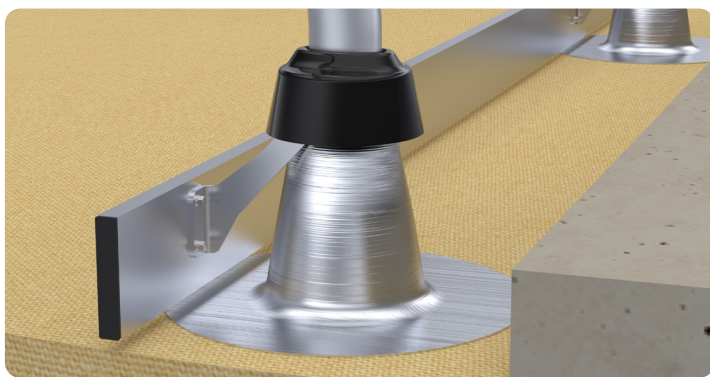


2 Inclined guardrail with midrails and toeboard: GC-BCI.P

The **SECURILISSE® GC-BCI.P** is suitable for work areas without a parapet or one of less than 100 mm. The standard then requires the installation of a toeboard.



Toeboard accessory:



REF : 101087
Toeboard fixation for GCTI.
With a parapet of less than 100 mm.



REF : 100539
30-degree inclined upright.