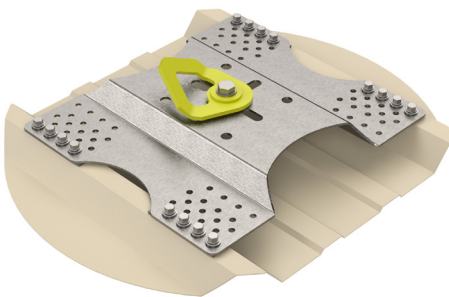
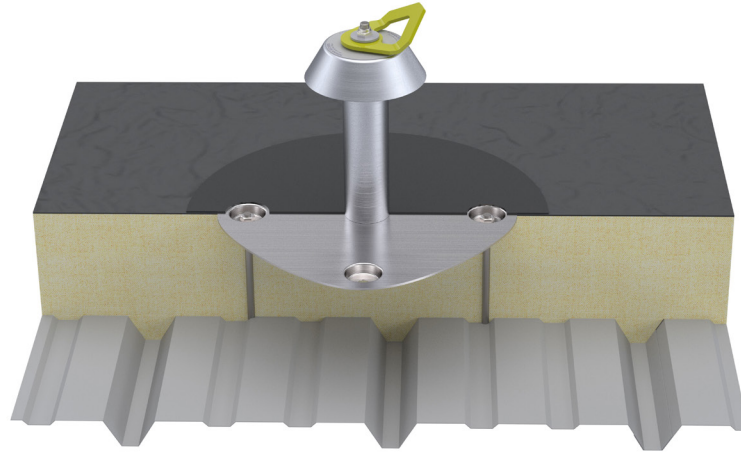


Anchor point elements

Special fasteners

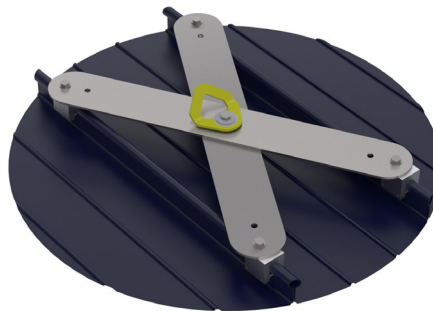
Somain Securite has developed and standardised specific interfaces for each type of roof.



REF : 101761

PAY360 BA

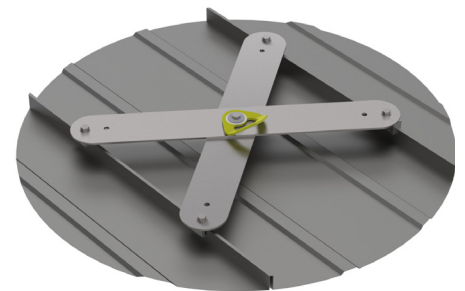
304L stainless steel yellow rotating anchor point with fixation for steel deck.
210-250-275-300-330 mm corrugation centre to centre distances.



REF : SPÉCIAL

PAY360 KL

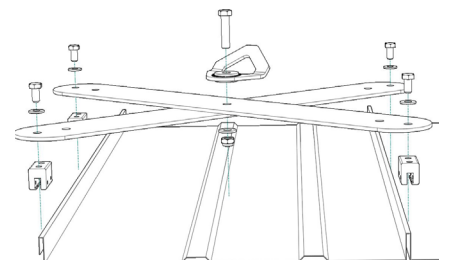
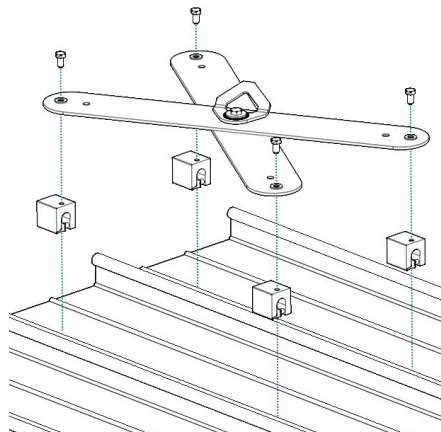
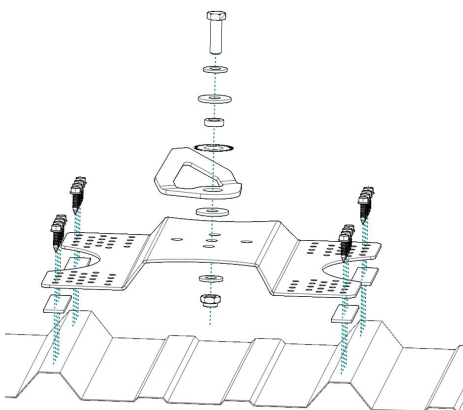
304L stainless steel yellow rotating anchor point with fixing for round standing seam roofs (S5-Z clamp).



REF : SPÉCIAL

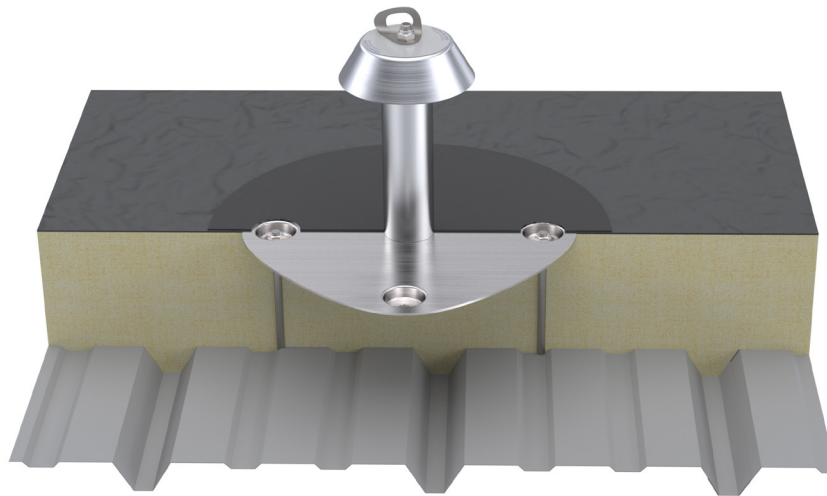
PAY360 JD

304L stainless steel yellow rotating anchor point with fixing for double-folded standing seam roofs (S5-E clamp).



Special fasteners

Somain Securite has developed and standardised specific interfaces for each type of roof.

**REF : 100751**

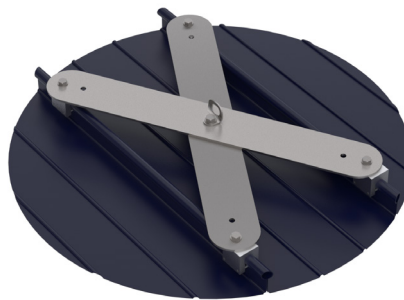
304L stainless steel anchoring plate with stainless steel support plate for steel deck. 210-250-275-300-330 mm corrugation centre to centre distances.

Fixing: 12 self-drilling screws provided.

REF : 102281

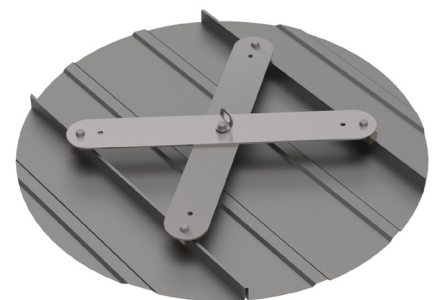
304L stainless steel anchoring plate with zinc-plated steel support plate for steel deck. 210-250-275-300-330 mm corrugation centre to centre distances..

Fixing: 12 self-drilling screws provided.

**REF : 100752**

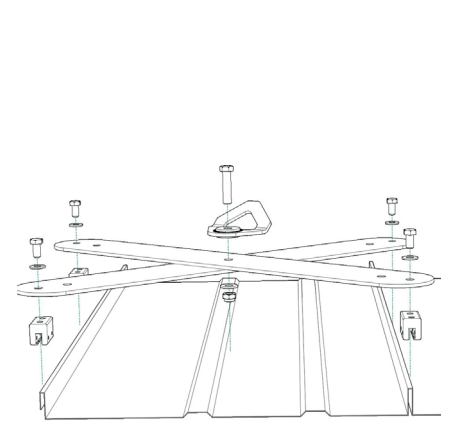
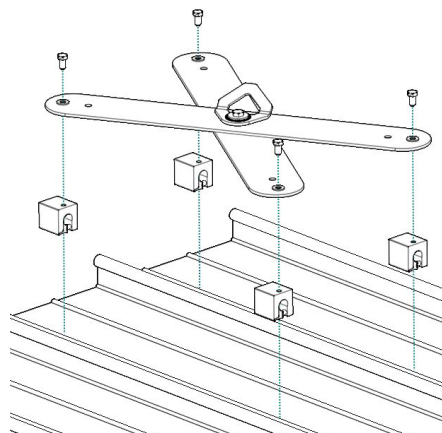
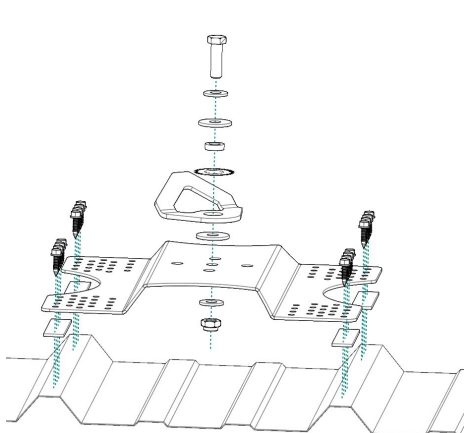
Stainless steel anchor point plate 304L with fixing for round standing seam roofs.

Fixing: 4 clamps S5-Z

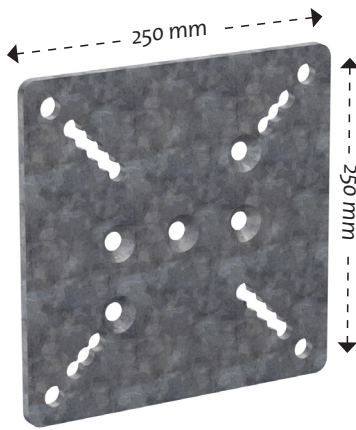
**REF : 100753**

Stainless steel anchor point plate 304L with fixing for double-folded standing seam roofs.

Fixing: 4 clamps S5-E.



Steel interfaces



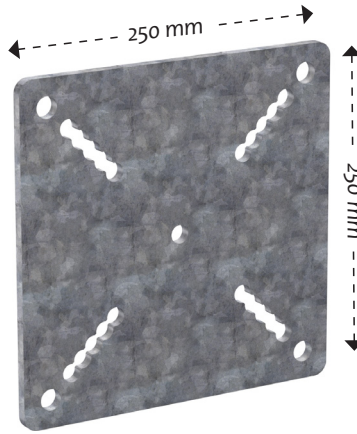
REF : 101748

Galvanised steel adjustment plate.

Fixing: 4M12

Centre-to-centre distance: 200 x 200 mm
(fixing light : 100 mm - 200 mm)

Fastening: 185 mm (fixing light : 80 mm - 185 mm)



REF : 101749

Galvanised steel counter plate.

Fixing: 4M12

Centre-to-centre distance: 200 x 200 mm
(fixing light : 100 mm - 200 mm)

Fastening: 185 mm (fixing light : 80 mm - 185 mm)



REF : SPECIAL

Made to measure.

Post face fixing, 100mm offset.
Galvanised steel.

Fastening

On metal or wood beam.



The lengths and widths of the elements are sized to be suitable for supports.

Clamping

On metal beam.



This involves pinching the flanges of the beam using 2 clamping plates.

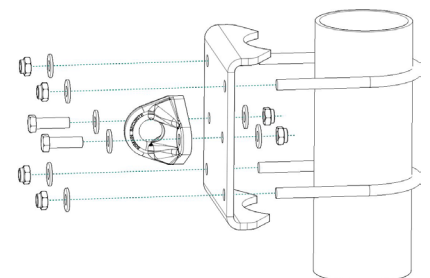
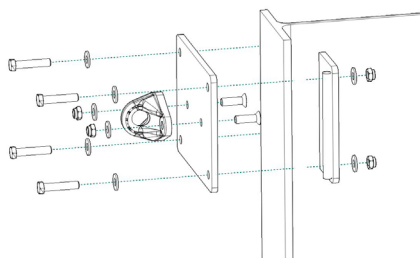
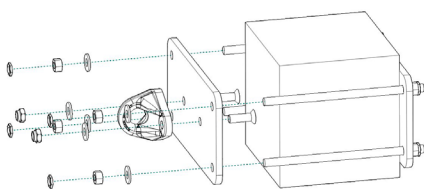
The lengths and widths of the elements are sized to be suitable for supports.

On a tube

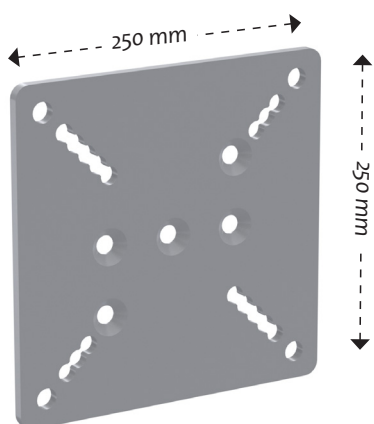
On metallic round tube.



The lengths and widths of the elements are sized to be suitable for supports.



Stainless steel interfaces



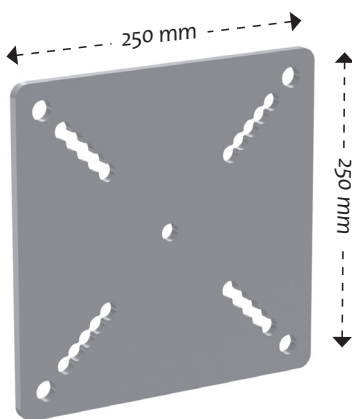
REF : 101748

Stainless steel adjustment plate.

Fixing: 4M12

Centre-to-centre distance: 200 x 200 mm
(fixing light : 100 mm - 200 mm)

Fastening: 185 mm (fixing light : 80 mm - 185 mm)



REF : 101749

Stainless steel counter plate.

Fixing: 4M12

Centre-to-centre distance: 200 x 200 mm
(fixing light : 100 mm - 200 mm)

Fastening: 185 mm (fixing light : 80 mm - 185 mm)



REF : SPECIAL

Made to measure.

Post face fixing, 100mm offset.
Stainless steel.

Fastening

On metal or wood beam.



The lengths and widths of the elements are sized to be suitable for supports.

Clamping

On metal beam.



This involves pinching the flanges of the beam using 2 clamping plates.

The lengths and widths of the elements are sized to be suitable for supports.

On a tube

On metallic round tube.



The lengths and widths of the elements are sized to be suitable for supports.

