

Designation:

SECURIFIX® PAY 360 is a fall arrester system for securing an area inaccessible to the public where there is a risk of falling.

SECURIFIX® PAY 360 has the special feature of being 360-degree rotatable and is designed for installation on dry metal deck roofs or standing seam roofs.

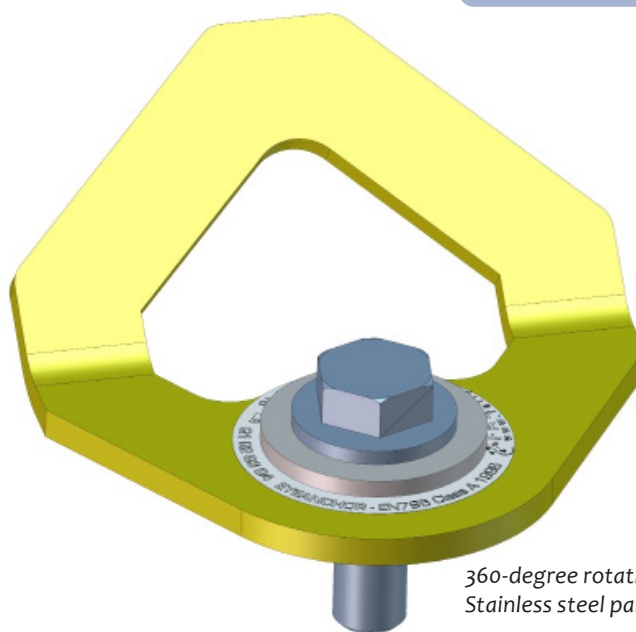
In the event of specific constraints, our design office will be able to devise an appropriate solution.

No need to open the roof Ex works within 48 hours
Quick installation
No maintenance

Materials: 304L stainless steel

Finish: Yellow painted

Technique: Delivered with manuals and drawings available online at:
<http://extranet.somain.fr>



360-degree rotating anchor point
 Stainless steel painted



REF: 100870

Signage poster: mandatory wearing of PPE, to be installed at each access to the protected zone.

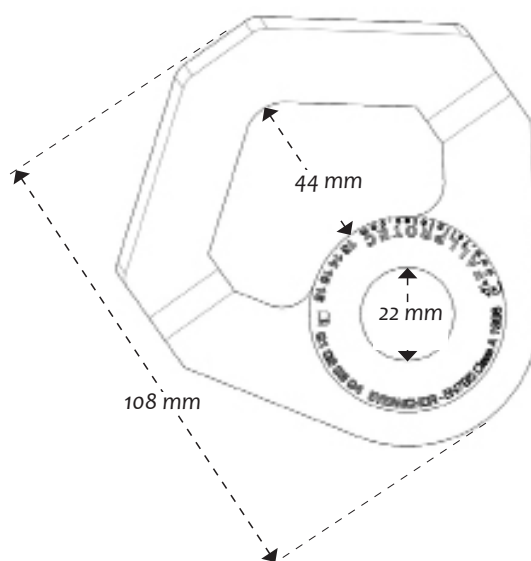
Available, on request, in the language of your choice with the possibility to insert your logo.

Advantages:

The PAY 360 is preferably used on metal roofs.

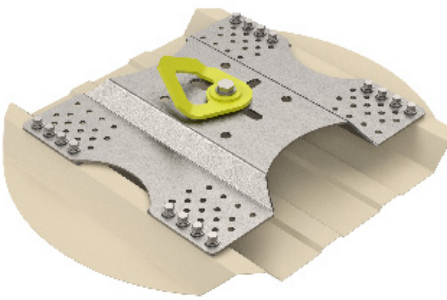
The possibility of rotating the anchor point makes the system ideal for protection as the fixing plates absorb and optimally distribute the stress generated during a fall.

Space requirement:



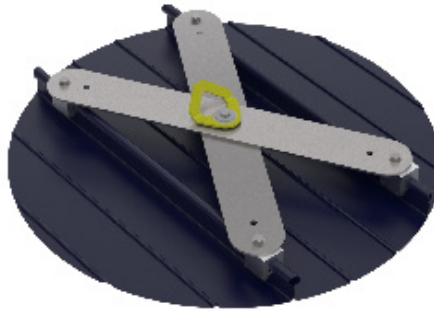
Fixations

SOMAIN SECURITE has developed and standardised specific interfaces for each type of roof.



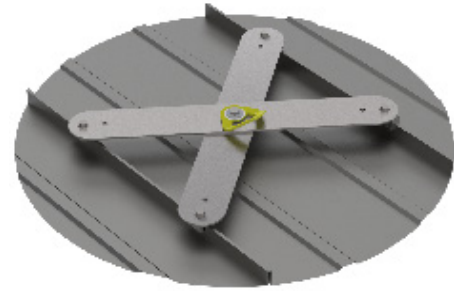
REF: 100751

PAY360 BA
304L stainless steel yellow rotating anchor point with fixation for steel deck.
210-250-275-300-330 mm corrugation centre-to-centre distances.



REF: 100752

PAY360 KL
304L stainless steel yellow rotating anchor point with fixing for round standing seam roofs (S5-Z clamp).



REF: 100753

PAY360 JD
304L stainless steel yellow rotating anchor point with fixing for double-folded standing seam roofs (S5-E clamp).

